

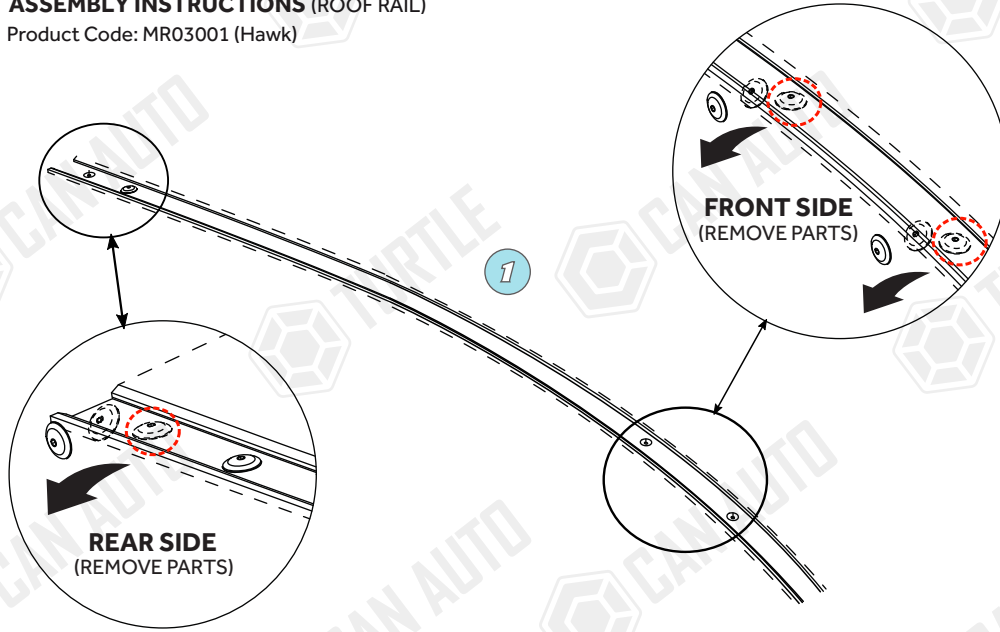


ASSEMBLY INSTRUCTIONS (ROOF RAIL)

Product Code: MR03001 (Hawk)

FIRST TIME INSTALLATION

- \* REMOVE PARTS FROM INSIDE THE PACKAGE AND CHECK THEM ALL
- \* CONTACT YOUR DEALER IF ANY PART IS MISSING OR DAMAGED
- \* USE THE EQUIPMENT SPECIFIED FOR INSTALLATION



Resim 1'e göre aracın tavanındaki plastik parçaları çıkarın.

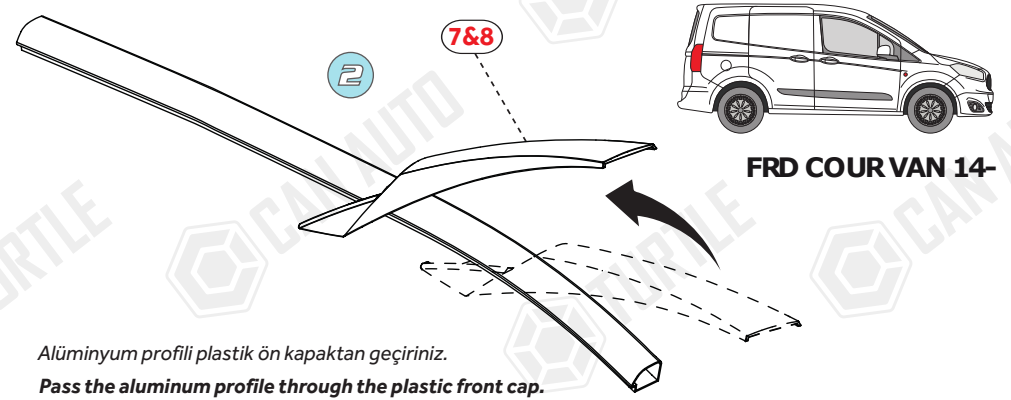
Remove the plastic parts from the roof of the vehicle according to picture 1.

NO	PART DESCRIPTION	QTY
1-	M6x30 HEXAGON BOLT	6
2-	SPONGE TAPE	6
3-	PLASTIC FOOT FR	1
4-	PLASTIC FOOT FL	1
5-	PLASTIC FOOT RR	1
6-	PLASTIC FOOT RL	1
7-	PLASTIC CAP FR	1
8-	PLASTIC CAP FL	1
9-	PLASTIC CAP RR	1
10-	PLASTIC CAP RL	1
11-	LIQUID RUBBER	1

SCAN ME



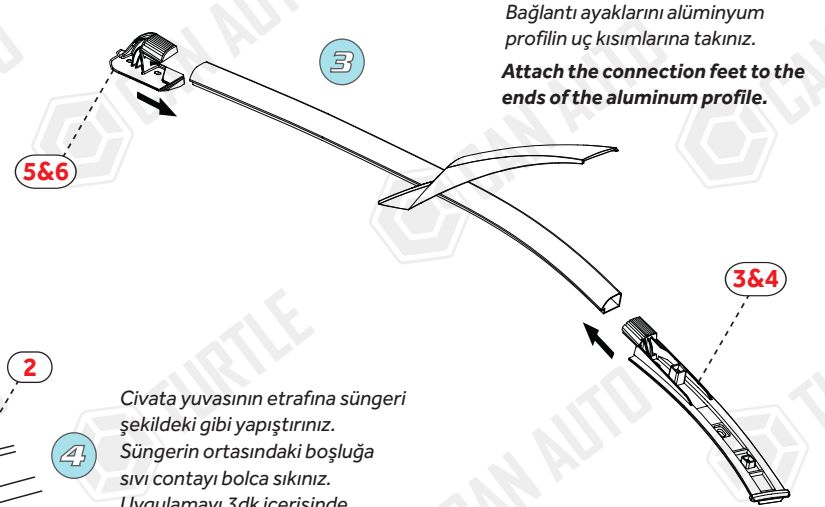
FOR  
INSTALLATION  
VIDEO



Alüminyum profili plastik ön kapaktan geçiriniz.

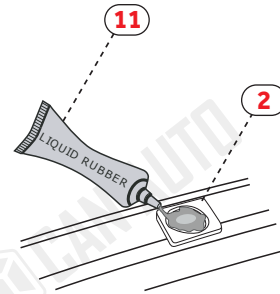
Pass the aluminum profile through the plastic front cap.

FRD COUR VAN 14-



Bağlantı ayaklarını alüminyum profilin uç kısımlarına takınız.

Attach the connection feet to the ends of the aluminum profile.



Stick the sponge tape around the bolt slot as shown in the figure.

Squeeze the liquid rubber in the middle of the sponge as a thick layer.

Apply in 3min before silicone dry.



CAN AUTO



TURTLE

## ASSEMBLY INSTRUCTIONS (ROOF RAIL)

Product Code: MR03001 (Hawk)

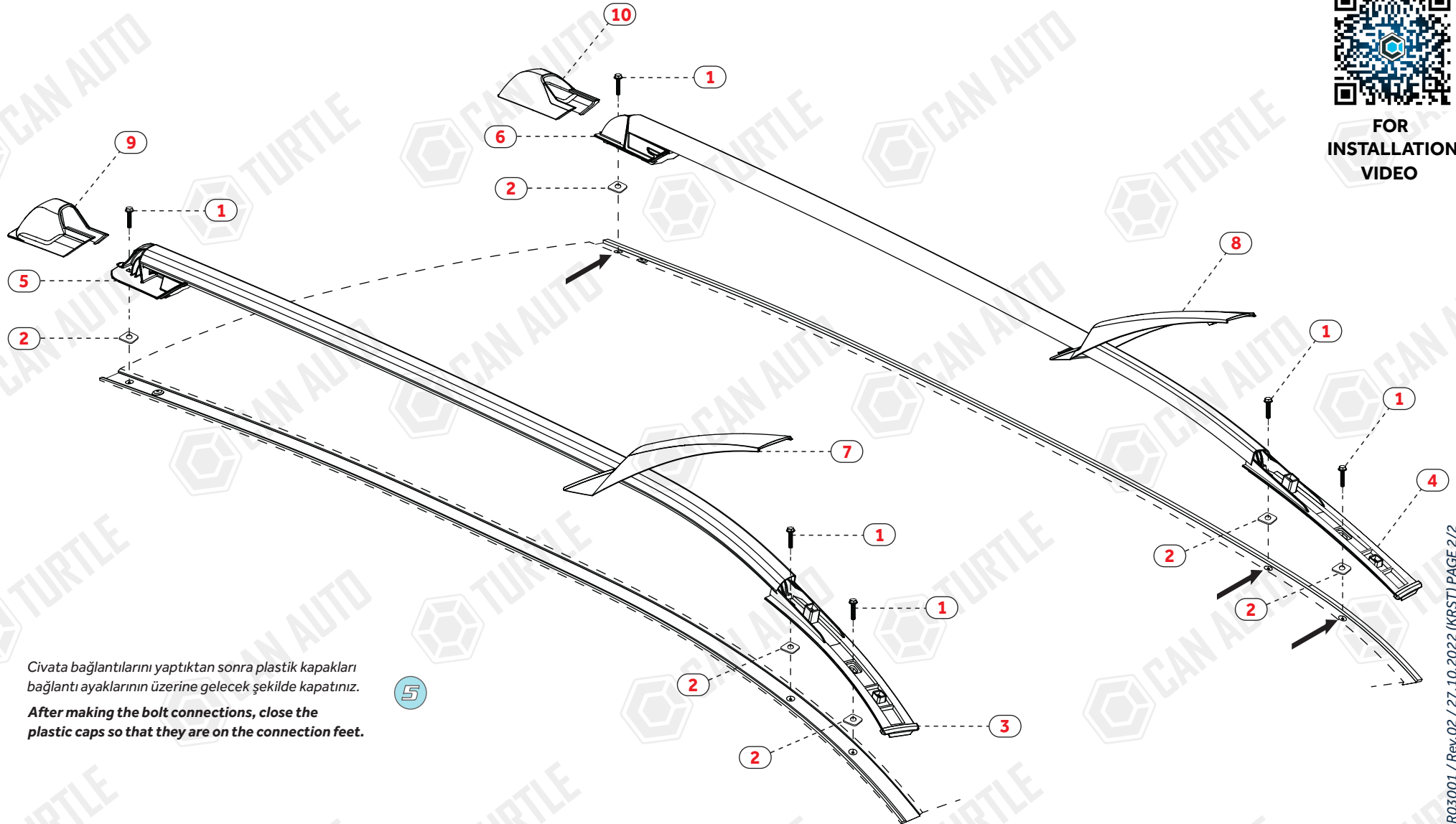
### FIRST TIME INSTALLATION

- \* REMOVE PARTS FROM INSIDE THE PACKAGE AND CHECK THEM ALL
- \* CONTACT YOUR DEALER IF ANY PART IS MISSING OR DAMAGED
- \* USE THE EQUIPMENT SPECIFIED FOR INSTALLATION

### SCAN ME



FOR  
INSTALLATION  
VIDEO



Civata bağlantılarını yaptıktan sonra plastik kapakları bağlantı ayaklarının üzerine gelecek şekilde kapatınız.

**After making the bolt connections, close the plastic caps so that they are on the connection feet.**